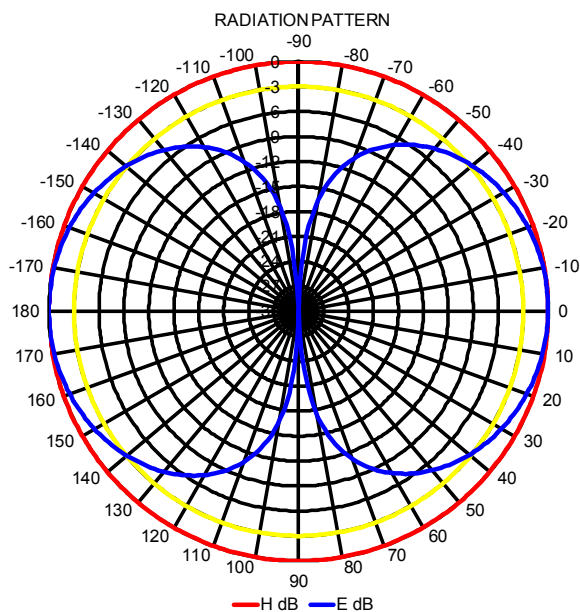
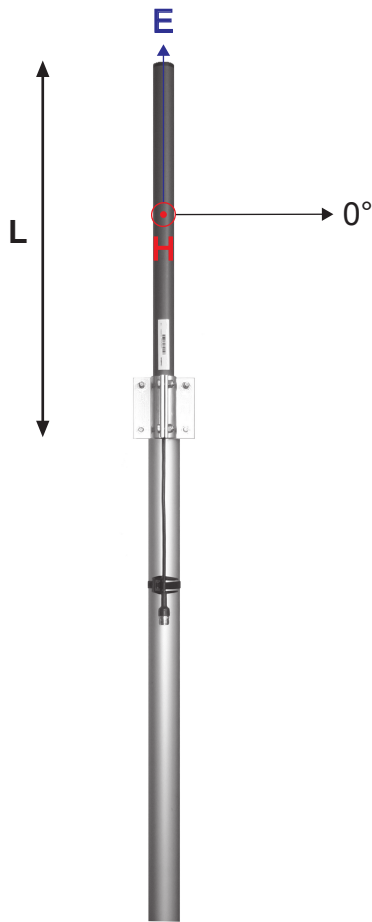


ComAnt[®] Communications Antennas

FREQUENCY INDEPENDENT DATA

Description: omnidirectional coaxial dipole
Frequency: 326-353 MHz, 336-364 MHz,
380-400 MHz, 405-440 MHz,
440-475 MHz, 830-890 MHz,
880-960 MHz
Impedance: 50 ohm
Gain: 2 dBi
H -3 dB: 81°
E -3 dB: 0°
F/B: 0 dB
Polarization: vertical
Connector: N-female/TNC-female
VSWR: < 1.5
Radome: UV resistant ABS/FG,
RAL 7012, PU foam filling
Radiator: copper
Attachment: Ø 35-60 mm, aluminium alloy
bracket, stainless steel V-
bolts and self-locking nuts
Lightning
protection: DC-short circuited
Temperature: -40°C - +80°C
IP: 67



CAO OMNIDIRECTIONAL COAXIAL DIPOLE